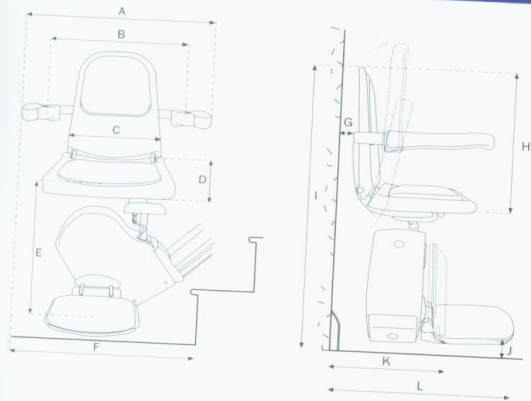


Thirty years on and
**Still Leading
 The Way**

Specifications

Motor power	0.5 hp
Travel speed	No greater than 0.15 m/s
Method of drive	Rack and Pinion
Motor output torque	108 Nm
Power supply (battery)	24v DC
Maximum capacity	20 stones (127 kg)
Track	Extruded Aluminium
Mains supply	UK 240v, 50Hz Charger EC 220v, 50Hz Charger



Dimensions

A	Width outside armrest	22"	560mm
B	Width inside armrest	17.5"	445mm
C	Width of backrest	14.5"	370mm
D	Depth of seat	16"	410mm
E	Top of footrest to top of seat	17.5"	445mm
F	Required space from bottom of stair	26"	660mm
G	Wall to seat width	1.5"	40mm
H	Overall height of seat	19.5"	495mm
I	Overall height	40"	1020mm
J	Footrest surface to floor	4.5"	115mm
K	Overall depth (folded)	13"	325mm
L	Overall depth (footrest down)	23"	585mm

Brooks, in keeping with its policy of continual development, reserves the right to change specifications without notice. All measurements are approximate. Images are shown for illustrative purposes only.